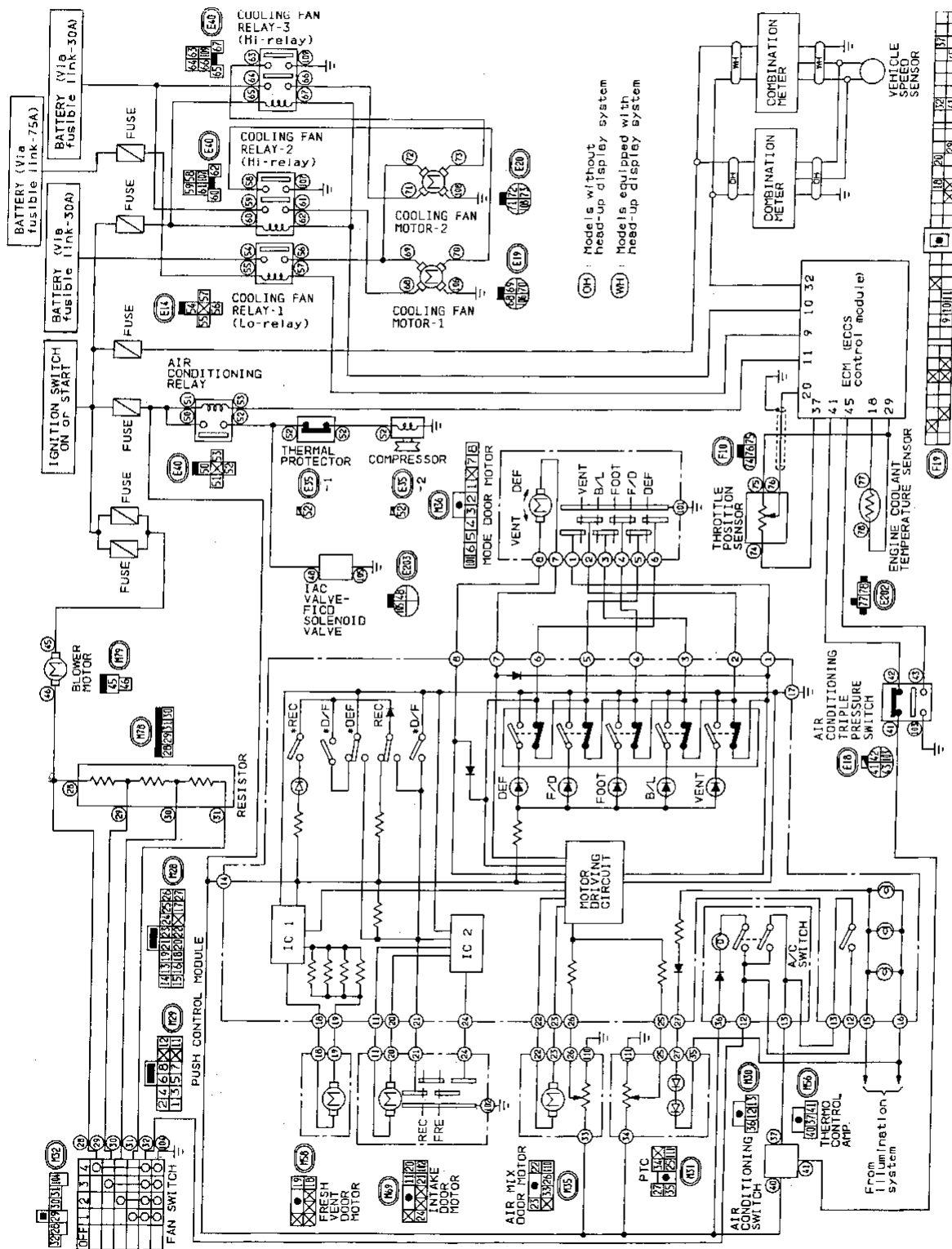


Circuit Diagram for Quick Pinpoint Check



- All connectors shown in this illustration are unit side connectors.
- The unit side connectors with a double circle "⊖" are connected to the harness side connectors shown in the "Harness Layout."
- The terminal numbers in the connector coincide with the circuit numbers linked by a single circle "○".
- These switches are built into push control module and mechanically linked to corresponding switches.

GI
MA
EM
LC
FC
FE
CL
MT
AT
FA
PA
BR
ST
BF
HA
FL
DX